

DIGITUS® Single monitor mount, 32", 8 kg

DA-90399

EAN 4016032465164



Single Monitor Clamp Mount 15"-32", 8 kg (max.), black

With the universal monitor mount from DIGITUS®, you can conveniently attach a 15" - 32" monitor to your desk using a clamp mount. The quick-release function also makes it easier for you to install the monitor. The VESA mount is simply pushed into the corresponding holder and fixed in place with a screw. You can easily adjust the monitor to suit your needs and can swivel, tilt or rotate the monitor itself, e.g. for portrait format monitors. You can also set a height adjustment of up to 31.5 cm. In addition, the monitor cables can be neatly routed through the cable guides supplied. Do something good for yourself and your health by optimally adjusting the monitor to your body and sitting position.

The desktop mount offers you the option of individually aligning monitors from 15" - 32". Panning, tilting, rotating and height adjustment of the monitor is possible. With quick-release function for easy installation.

- Suitable for monitors from 15" to 32" in size
- Maximum load: 8 kg
- Quick-release function: easy mounting of the monitor in the holder
- Pivoting the VESA mount / swivel arm: 270° (3 hinges with 90° each)
- Inclination of the VESA mount: 90°

- Rotating the VESA mount: 360°
- Supported VESA dimensions: 75 x 75, 100 x 100
- Maximum height adjustment: 31.5 cm
- For table top thicknesses: 10 - 85 mm
- Material: Steel
- Dimensions: W 51.7 x D 11.4 x H 49.8 cm
- Weight: 2.5 kg
- Color: Black, matt
- Tested & certified ergonomic product - Certified by IGR (Institute for Health and Ergonomics)

Attributes

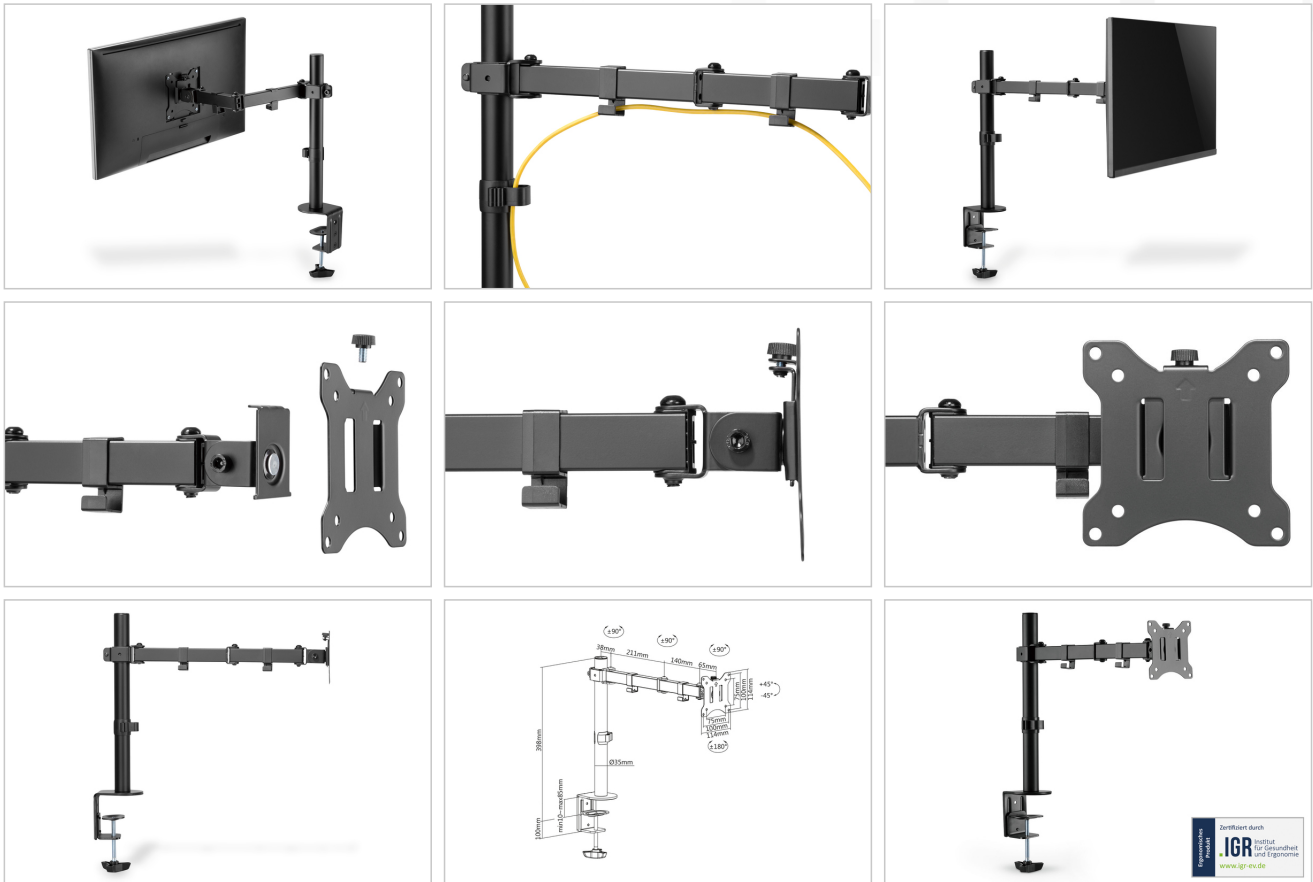
- Monitor weight (max.): 8 kg
- Mounting method: Clamp-mount
- Number of monitors: 1
- Size of monitors: up to 32"
- VESA mount: 75x75 mm, 100x100 mm

Package contents

- Universal single monitor holder with clamp mount
- Mounting material
- Assembly instructions

Logistics						
	Number (pcs)	Weight (kg)	Depth (cm)	Width (cm)	Height (cm)	cm³
Packaging Unit Carton	6	18.10	44.00	26.00	33.00	37.75
Packaging Unit Inside	1	3.02	0.00	0.00	0.00	0.00
Packaging Unit Single	1	3.02	11.70	42.20	10.00	4,937.40
Net single without Packaging	0	2.54	51.70	11.40	49.80	29,351.10

More images:



Safety notes

- Please read the entire manual before starting assembly and installation. Please contact your local dealer if you have any questions about the instructions or warnings.
- CAUTION: Use with products that exceed the permitted weight may result in damage or possible injury.
- Brackets should be fitted in accordance with the installation instructions. Incorrect installation can result in damage or injury.
- Use safety equipment and suitable tools. The product should only be installed by specialists.
- This product can be installed on timber-framed, solid concrete or stone walls.
- The load-bearing surfaces should be able to safely withstand the entire weight of appliances and all additional components.
- Only use the installation screws supplied and DO NOT TIGHTEN the screws TOO TIGHT.
- This product contains small parts that can cause a choking hazard if swallowed. Keep these parts away from children.
- Only use this product indoors. Using the product outdoors can lead to injury and damage.
- IMPORTANT: Before installation, please check all components received against the components list. If parts are damaged or missing, ask your local dealer for replacement parts.
- MAINTENANCE: Check the bracket regularly for safety and stability (preferably every three months).

EU responsible person

EU based economic operator ensuring the product complies with the required regulations.

ASSMANN Electronic GmbH
 Auf dem Schüffel 3
 Lüdenscheid, Germany
<https://www.assmann.com>
info@assmann.com