

# DIGITUS® CAT 6A class EA network socket, design-compatible, shielded, flush-mounted

DN-9008-1

EAN 4016032320227



**CAT 6A Class EA network outlet, shielded, 2xRJ45, LSA pure white, flush mount, horizontal cable install.**

The CAT 6A data outlets from DIGITUS® are design-compatible with all standard switch ranges. They are certified to CAT 6A ANSI/TIA 568 and ISO/IEC 11801, EN 50173 and have 2 shielded RJ45 sockets. The cable is installed via LSA strips, color-coded in accordance with EIA/TIA 568 A & B.

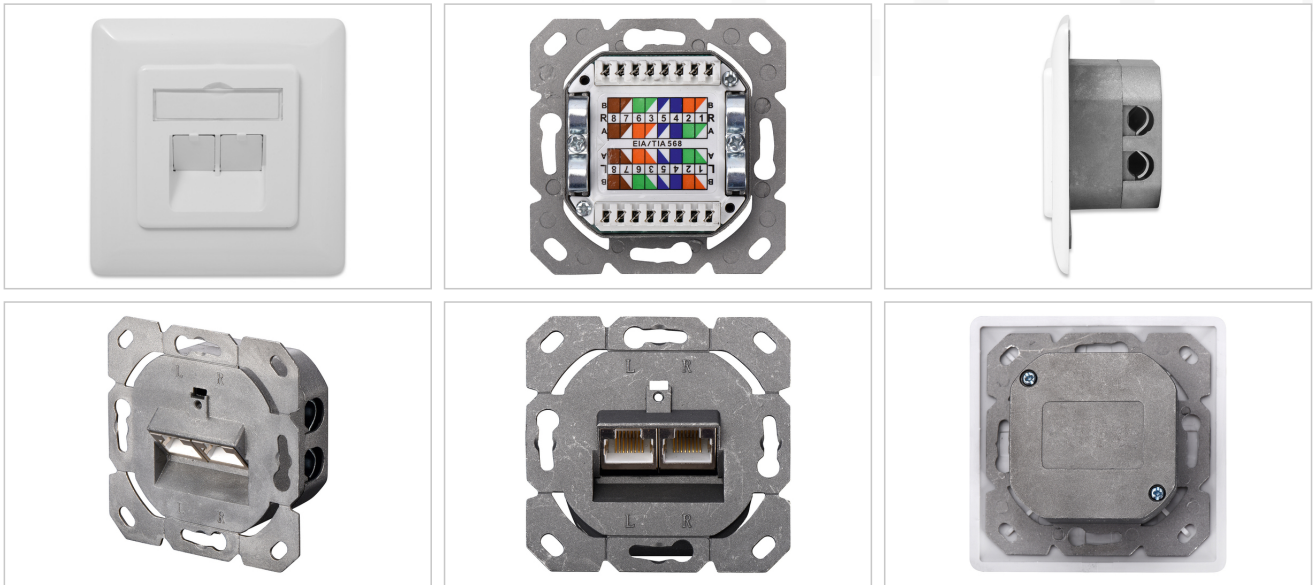
**Future-oriented standards and high-end quality for your network.**

- Transmission characteristic: Category 6A
- Application areas: Up to 500 MHz, 10GBase-T
- Standards: ISO/IEC 11801 2nd Ed., EN 50173-1, EIA/TIA 568-C, 802.3af, 802.3at PoE+
- General properties:
- Suitable for installation in trunking, flush-mounted & surface-mounted
- RJ45 sockets, 8P8C
- Cable installation via LSA strips, color-coded according to EIA/TIA 568 A & B
- Integrated strain relief for installation cables
- Complete shielding of the RJ45 sockets and the LSA strips thanks to fully enclosing die-cast metal housing
- Strain-relieving 40° socket angle for shunting cables
- Central plate: 50 x 50 mm
- Frame: 80 x 80 mm

- Central plate with integrated dust protection flaps
- Design-compatible with standard switch ranges
- Technical features:
- Housing material: Die-cast metal housing
- RJ45 socket material: ABS UL 94V-0
- Contact RJ45 socket: Nickel-plated phosphor bronze, 0.5 mm gold-plated contact
- RJ-45 shielding: Nickel-plated bronze
- LSA cutting clamp: Krone LSA+, UL 94V-2, galvanized phosphor bronze
- Printed circuit board: FR4, UL 94V-0
- Physical properties:
- Insertion force: 30N max. (IEC 60603-7-5)
- Tensile load: 7.7 kg between socket and plug
- Operating temperature: -20° C to +70 °C (ISO/IEC 11801, EN 50173-1, ANSI/TIA/EIA 568 C)
- Socket mating cycle: > 750 acc. to ISO/IEC 11801, IEC 60603-7-5
- Terminal: > 200 acc. to ISO/IEC 11801, IEC 60603-7-5
- Core receptacle: 22-26 AWG solid and stranded conductors
- Insulation resistance: > 500 MOhm
- Contact resistance: < 20 milliOhms
- Dielectric strength: 1000 VDC (contact/contact), 1500 VDC (contact/ground)
- Not compatible with R&M freenet patch cables
- Color: White RAL9003

Logistics						
	Number (pcs)	Weight (kg)	Depth (cm)	Width (cm)	Height (cm)	cm³
Packaging Unit Carton	50	11.22	46.00	35.50	21.00	34.29
Packaging Unit Inside	1	0.22	6.00	8.50	8.50	433.50
Packaging Unit Single	1	0.22	6.00	8.50	8.50	433.50
Net single without Packaging	0	0.00	0.00	0.00	0.00	0.00

**More images:**



**Safety notes**

- Protect product from moisture
- Avoid antistatic charging when installing the product
- Observe the specifications of the raw cable manufacturer during installation

**EU responsible person**

EU based economic operator ensuring the product complies with the required regulations.

ASSMANN Electronic GmbH  
 Auf dem Schüffel 3  
 Lüdenscheid, Germany  
<https://www.assmann.com>  
[info@assmann.com](mailto:info@assmann.com)