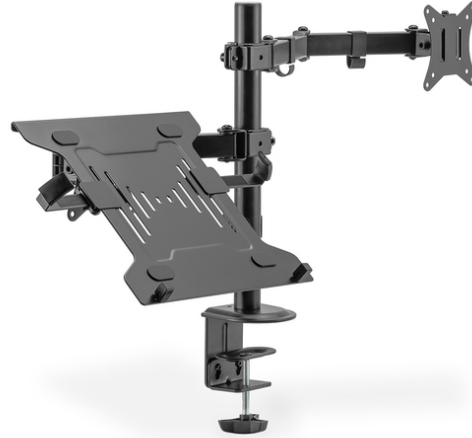


DIGITUS® Single monitor mount & notebook mount, 1x32", 2x 9 kg

DA-90436

EAN 4016032481942



Monitor Arm (17-32") / Notebook Tray 9 kg. max. each, clamp or grommet mount

The desktop mount offers you the option of aligning a monitor of up to 32" / 9 kg and a notebook of up to 15.6" / 4 kg individually, space-savingly and ergonomically. The VESA mount supports: 75 x 75, 100 x 100 mounts. The mount offers two mounting options: both table clamp and grommet bar. Thanks to the quick-release fastener, the VESA plate can be attached and detached using a screw. The integrated cable management ensures a tidy workplace.

The desktop mount offers you the option of aligning a monitor of up to 32" / 9 kg and a notebook of up to 15.6" / 4 kg individually, space-savingly and ergonomically

- Suitable for (curved) monitors up to 32" / 9 kg max.
- Suitable for notebooks up to 15.6" / 4 kg max.
- Integrated cable management: for an organized and tidy workspace
- Two mounting options: both table clamp and feed-through rod are included in the scope of delivery
- Quick-release fastener: VESA plate can be fixed/released with a screw when mounting and dismantling
- Height-adjustable, rotate, swivel
- Adjustable notebook holders provide a secure hold
- VESA compatibility: 75x75, 100x100

- Monitor arm: Tilt: -45°/+45°, swivel: -90°/+90°, front panel rotatable: -180°/+180°
- Material: steel, plastic
- Surface: Powder coating
- Monitor quantity: 1
- Notebook quantity: 1
- Mounting type: Table mounting
- Color: Black, matt
- Weight: 4.75 kg
- Tested & certified ergonomic product - Certified by IGR (Institute for Health and Ergonomics)

Attributes

- Monitor weight (max.): 9 kg
- Mounting method: Clamp-mount
- Number of monitors: 1
- Size of monitors: up to 32"
- VESA mount: 75x75 mm, 100x100 mm

Package contents

- 1x universal monitor holder with notebook holder
- 1x mounting material
- 1x assembly instructions

Logistics						
	Number (pcs)	Weight (kg)	Depth (cm)	Width (cm)	Height (cm)	cm³
Packaging Unit Carton	3	14.22	0.00	0.00	0.00	0.00
Packaging Unit Inside	1	4.74	0.00	0.00	0.00	0.00
Packaging Unit Single	1	4.74	0.00	0.00	0.00	0.00
Net single without Packaging	0	0.00	0.00	0.00	0.00	280.83

More images:



Safety notes

- Please read the entire manual before starting assembly and installation. Please contact your local dealer if you have any questions about the instructions or warnings.
- CAUTION: Use with products that exceed the permitted weight may result in damage or possible injury.
- Brackets should be fitted in accordance with the installation instructions. Incorrect installation can result in damage or injury.
- Use safety equipment and suitable tools. The product should only be installed by specialists.
- This product can be installed on timber-framed, solid concrete or stone walls.
- The load-bearing surfaces should be able to safely withstand the entire weight of appliances and all additional components.
- Only use the installation screws supplied and DO NOT TIGHTEN the screws TOO TIGHT.
- This product contains small parts that can cause a choking hazard if swallowed. Keep these parts away from children.
- Only use this product indoors. Using the product outdoors can lead to injury and damage.
- IMPORTANT: Before installation, please check all components received against the components list. If parts are damaged or missing, ask your local dealer for replacement parts.
- MAINTENANCE: Check the bracket regularly for safety and stability (preferably every three months).

EU responsible person

EU based economic operator ensuring the product complies with the required regulations.

ASSMANN Electronic GmbH
Auf dem Schüffel 3
Lüdenscheid, Germany
<https://www.assmann.com>
info@assmann.com