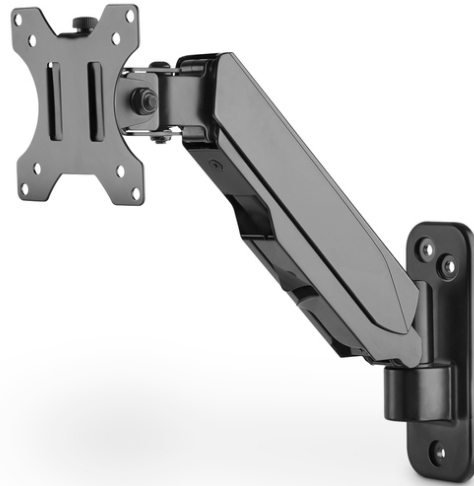


# DIGITUS® Universal Single Monitor Mount with Gas Spring, Wall Mount

DA-90396

EAN 4016032465133



### Single Gas Spring Monitor Wall Mount 17-32", 8 kg (max.), black

The universal monitor wall mount from DIGITUS® can hold a monitor from 17" to 32". The quick release function also makes it easier for you to install the monitor. The VESA bracket is simply inserted into the corresponding mount and fastened with a screw. Without a great deal of effort, you can arrange the monitor according to your needs and pivot, incline or rotate the monitor, for instance for monitors in portrait mode. Support of the integrated gas spring facilitates height adjustment of the monitor. Do a good deed for yourself and your health by adjusting your monitor optimally for your body and your sitting position. The monitor cables can be stored in an orderly fashion using the cable routing included in delivery.

#### The wall mount allows you to individually arrange monitors from 17" - 32" - with quick release function

- For flat and curved displays with dimensions of 17" - 32"
- Maximum load capacity: 8 kg
- VESA Dimensions: 75 x 75, 100 x 100
- Rotation of the VESA bracket: 180° (two hinges that can each be pivoted 180°)
- Inclination of the VESA bracket: 70°

- Rotation of the VESA bracket: 360°
- Maximum height adjustment: 28 cm
- Integrated gas spring for easy height adjustment
- Integrated cable management
- With quick release function for easy installation
- Material: Aluminum, plastic, steel
- Dimensions: W 30.7 x D 11.4 x H 30.1 cm
- Weight: 1.6 kg
- Color: Black, matte

#### Attributes

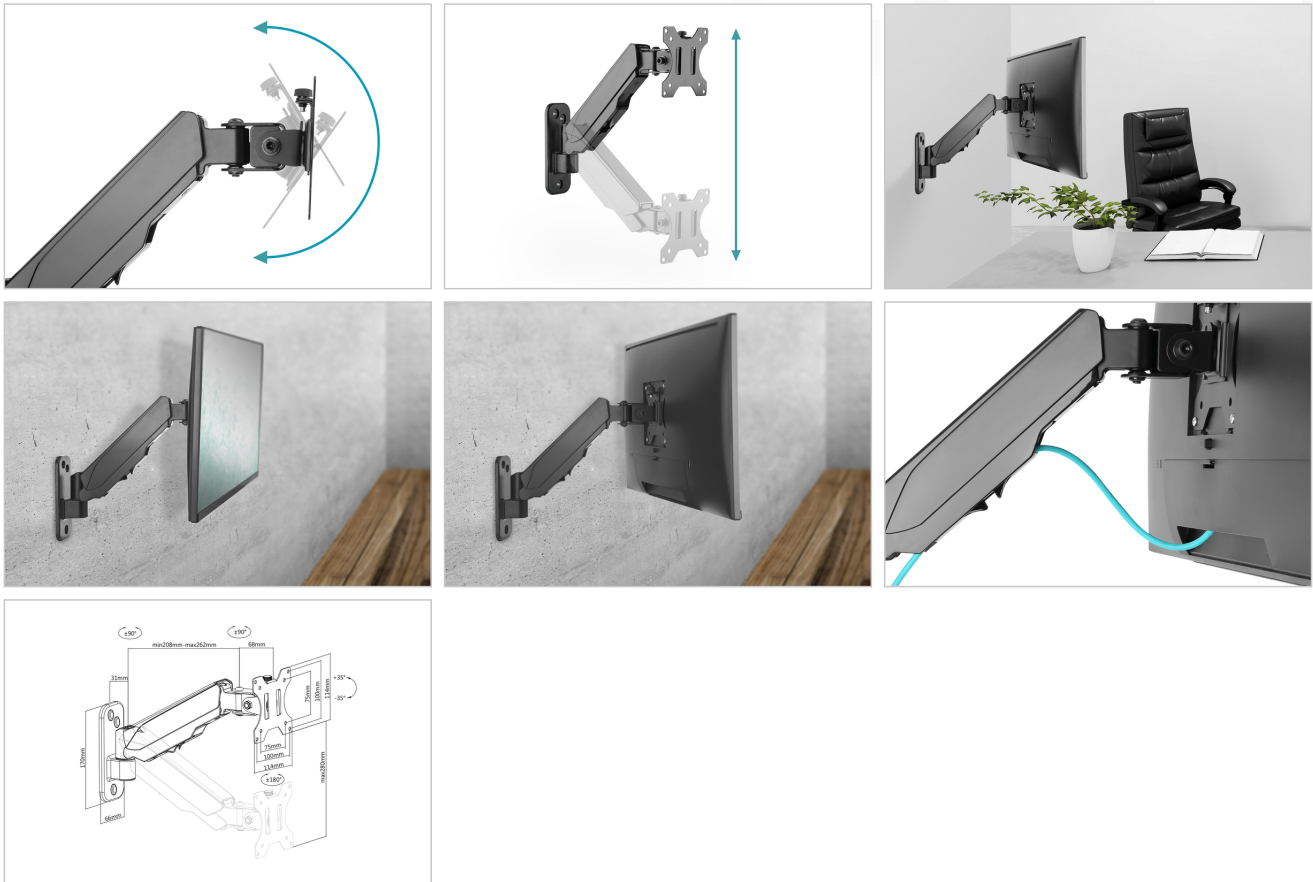
- Monitor weight (max.): 8 kg
- Mounting method: Wall-mount
- Number of monitors: 1
- Size of monitors: up to 32"
- VESA mount: 75x75 mm, 100x100 mm

#### Package contents

- Universal Single Monitor Mount with Gas Spring, Wall Mount
- Mounting accessories
- Quick reference guide

Logistics						
	Number (pcs)	Weight (kg)	Depth (cm)	Width (cm)	Height (cm)	cm³
Packaging Unit Carton	10	18.80	35.00	43.00	31.00	46.66
Packaging Unit Inside	1	1.88	16.80	41.50	5.80	4,043.76
Packaging Unit Single	1	1.88	16.80	41.50	5.80	4,043.76
Net single without Packaging	0	1.60	11.40	30.70	30.10	10,534.40

**More images:**



**Safety notes**

- Please read the entire manual before starting assembly and installation. Please contact your local dealer if you have any questions about the instructions or warnings.
- CAUTION: Use with products that exceed the permitted weight may result in damage or possible injury.
- Brackets should be fitted in accordance with the installation instructions. Incorrect installation can result in damage or injury.
- Use safety equipment and suitable tools. The product should only be installed by specialists.
- This product can be installed on timber-framed, solid concrete or stone walls.
- The load-bearing surfaces should be able to safely withstand the entire weight of appliances and all additional components.
- Only use the installation screws supplied and DO NOT TIGHTEN the screws TOO TIGHT.
- This product contains small parts that can cause a choking hazard if swallowed. Keep these parts away from children.
- Only use this product indoors. Using the product outdoors can lead to injuries and damage.
- IMPORTANT: Before installation, please check all components received against the components list. If parts are damaged or missing, ask your local dealer for replacement parts.
- MAINTENANCE: Check the bracket regularly for safety and stability (preferably every three months).

**EU responsible person**

EU based economic operator ensuring the product complies with the required regulations.

ASSMANN Electronic GmbH  
 Auf dem Schüffel 3  
 Lüdenscheid, Germany  
<https://www.assmann.com>  
[info@assmann.com](mailto:info@assmann.com)