

DIGITUS® CAT 6A class EA network socket, design-compatible, shielded, flush-mounted

DN-9008-1

EAN 4016032320227



CAT 6A Class EA network outlet, shielded, 2xRJ45, LSA pure white, flush mount, horizontal cable install.

The CAT 6A data outlets from DIGITUS® are design-compatible with all standard switch ranges. They are certified to CAT 6A ANSI/TIA 568 and ISO/IEC 11801, EN 50173 and have 2 shielded RJ45 sockets. The cable is installed via LSA strips, color-coded in accordance with EIA/TIA 568 A & B.

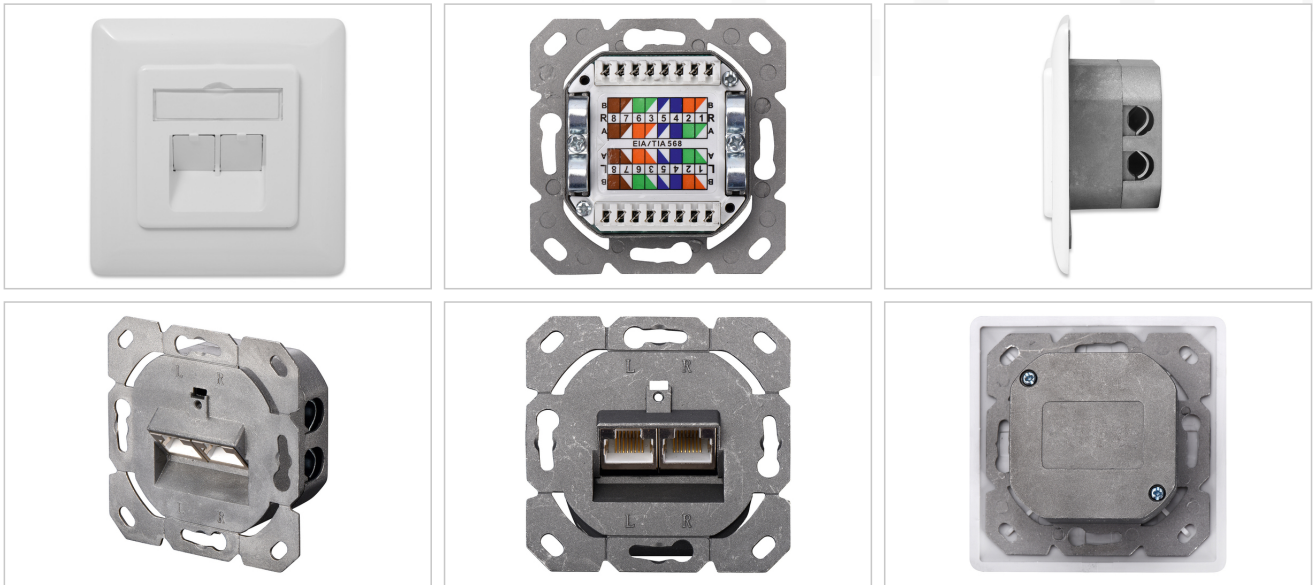
Future-oriented standards and high-end quality for your network.

- Transmission characteristic: Category 6A
- Application areas: Up to 500 MHz, 10GBase-T
- Standards: ISO/IEC 11801 2nd Ed., EN 50173-1, EIA/TIA 568-C, 802.3af, 802.3at PoE+
- General properties:
- Suitable for installation in trunking, flush-mounted & surface-mounted
- RJ45 sockets, 8P8C
- Cable installation via LSA strips, color-coded according to EIA/TIA 568 A & B
- Integrated strain relief for installation cables
- Complete shielding of the RJ45 sockets and the LSA strips thanks to fully enclosing die-cast metal housing
- Strain-relieving 40° socket angle for shunting cables
- Central plate: 50 x 50 mm
- Frame: 80 x 80 mm

- Central plate with integrated dust protection flaps
- Design-compatible with standard switch ranges
- Technical features:
- Housing material: Die-cast metal housing
- RJ45 socket material: ABS UL 94V-0
- Contact RJ45 socket: Nickel-plated phosphor bronze, 0.5 mm gold-plated contact
- RJ-45 shielding: Nickel-plated bronze
- LSA cutting clamp: Krone LSA+, UL 94V-2, galvanized phosphor bronze
- Printed circuit board: FR4, UL 94V-0
- Physical properties:
- Insertion force: 30N max. (IEC 60603-7-5)
- Tensile load: 7.7 kg between socket and plug
- Operating temperature: -20° C to +70 °C (ISO/IEC 11801, EN 50173-1, ANSI/TIA/EIA 568 C)
- Socket mating cycle: > 750 acc. to ISO/IEC 11801, IEC 60603-7-5
- Terminal: > 200 acc. to ISO/IEC 11801, IEC 60603-7-5
- Core receptacle: 22-26 AWG solid and stranded conductors
- Insulation resistance: > 500 MOhm
- Contact resistance: < 20 milliOhms
- Dielectric strength: 1000 VDC (contact/contact), 1500 VDC (contact/ground)
- Not compatible with R&M freenet patch cables
- Color: White RAL9003

Logistics						
	Number (pcs)	Weight (kg)	Depth (cm)	Width (cm)	Height (cm)	cm³
Packaging Unit Carton	50	11.22	46.00	35.50	21.00	34.29
Packaging Unit Inside	1	0.22	6.00	8.50	8.50	433.50
Packaging Unit Single	1	0.22	6.00	8.50	8.50	433.50
Net single without Packaging	0	0.00	0.00	0.00	0.00	0.00

More images:



Safety notes

- Protect product from moisture
- Avoid antistatic charging when installing the product
- Observe the specifications of the raw cable manufacturer during installation

EU responsible person

EU based economic operator ensuring the product complies with the required regulations.

ASSMANN Electronic GmbH
 Auf dem Schüffel 3
 Lüdenscheid, Germany
<https://www.assmann.com>
info@assmann.com