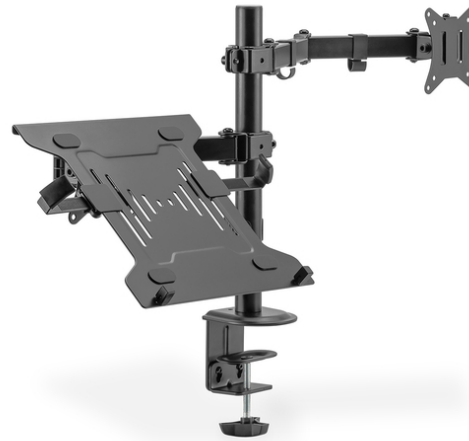


# DIGITUS® Single monitor mount & notebook mount, 1x32", 2x 9 kg

DA-90436

EAN 4016032481942



### Monitor Arm (17-32") / Notebook Tray 9 kg. max. each, clamp or grommet mount

The desktop mount offers you the option of aligning a monitor of up to 32" / 9 kg and a notebook of up to 15.6" / 4 kg individually, space-savingly and ergonomically. The VESA mount supports: 75 x 75, 100 x 100 mounts. The mount offers two mounting options: both table clamp and grommet bar. Thanks to the quick-release fastener, the VESA plate can be attached and detached using a screw. The integrated cable management ensures a tidy workplace.

**The desktop mount offers you the option of aligning a monitor of up to 32" / 9 kg and a notebook of up to 15.6" / 4 kg individually, space-savingly and ergonomically**

- Suitable for (curved) monitors up to 32" / 9 kg max.
- Suitable for notebooks up to 15.6" / 4 kg max.
- Integrated cable management: for an organized and tidy workspace
- Two mounting options: both table clamp and feed-through rod are included in the scope of delivery
- Quick-release fastener: VESA plate can be fixed/released with a screw when mounting and dismantling
- Height-adjustable, rotate, swivel
- Adjustable notebook holders provide a secure hold
- VESA compatibility: 75x75, 100x100

- Monitor arm: Tilt: -45°/+45°, swivel: -90°/+90°, front panel rotatable: -180°/+180°
- Material: steel, plastic
- Surface: Powder coating
- Monitor quantity: 1
- Notebook quantity: 1
- Mounting type: Table mounting
- Color: Black, matt
- Weight: 4.75 kg
- Tested & certified ergonomic product - Certified by IGR (Institute for Health and Ergonomics)

### Attributes

- Monitor weight (max.): 9 kg
- Mounting method: Clamp-mount
- Number of monitors: 1
- Size of monitors: up to 32"
- VESA mount: 75x75 mm, 100x100 mm

### Package contents

- 1x universal monitor holder with notebook holder
- 1x mounting material
- 1x assembly instructions

Logistics						
	Number (pcs)	Weight (kg)	Depth (cm)	Width (cm)	Height (cm)	cm <sup>3</sup>
Packaging Unit Carton	3	18.00	31.50	46.00	38.50	55,786.50
Packaging Unit Inside	1	6.00	29.80	44.30	11.30	14,917.60
Packaging Unit Single	1	6.00	29.80	44.30	11.30	14,917.60
Net single without Packaging	1	4.74	31.90	95.90	56.10	0.00

More images:



**Safety notes**

- Please read the entire manual before starting assembly and installation. Please contact your local dealer if you have any questions about the instructions or warnings.
- CAUTION: Use with products that exceed the permitted weight may result in damage or possible injury.
- Brackets should be fitted in accordance with the installation instructions. Incorrect installation can result in damage or injury.
- Use safety equipment and suitable tools. The product should only be installed by specialists.
- This product can be installed on timber-framed, solid concrete or stone walls.
- The load-bearing surfaces should be able to safely withstand the entire weight of appliances and all additional components.
- Only use the installation screws supplied and DO NOT TIGHTEN the screws TOO TIGHT.
- This product contains small parts that can cause a choking hazard if swallowed. Keep these parts away from children.
- Only use this product indoors. Using the product outdoors can lead to injury and damage.
- IMPORTANT: Before installation, please check all components received against the components list. If parts are damaged or missing, ask your local dealer for replacement parts.
- MAINTENANCE: Check the bracket regularly for safety and stability (preferably every three months).

**EU responsible person**

EU based economic operator ensuring the product complies with the required regulations.

ASSMANN Electronic GmbH  
Auf dem Schüffel 3  
Lüdenscheid, Germany  
<https://www.assmann.com>  
[info@assmann.com](mailto:info@assmann.com)