

# DIGITUS CAT 5e, Class D, wall outlet, flush mount

DN-9001-N  
EAN 4016032175650



**CAT 5e wall outlet, shielded, 2x RJ45 8P8C, LSA, color pure white, flush mount**

The shielded CAT 5e network outlets from DIGITUS® are certificated to CAT 5e EIA/TIA 568 and ISO/IEC 11801, EN 50173. The cable installation takes place via LSA strips, color coded acc. EIA/TIA 568 B with horizontal cable entry. All network outlets from DIGITUS® are available flush mount or surface mount.

**Full compatible design**

- Transmission property: Category 5e
- Area of application: Up to 100 MHz, 10/100Base-T, 1GBase-T
- Norms: ISO/IEC 11801 3rd Ed., EN 50173-1, EIA/TIA 568-C
- General properties:
- Suitable for installation in trunking, surface and flush mount
- RJ45 female, 8P8C
- Cable installation via LSA strips, color coded according to EIA/TIA 568 A & B
- Integrated strain relief for installation cables
- Complete shielding of RJ45 sockets and LSA strips due to zinc die-cast housing
- Strain relief 40°-angled female for patch cord
- Central plate: 50 x 50 mm
- Frame: 80 x 80 mm
- Central plate with integrated dust covers
- Design compatible to common switch ranges
- Technical properties:

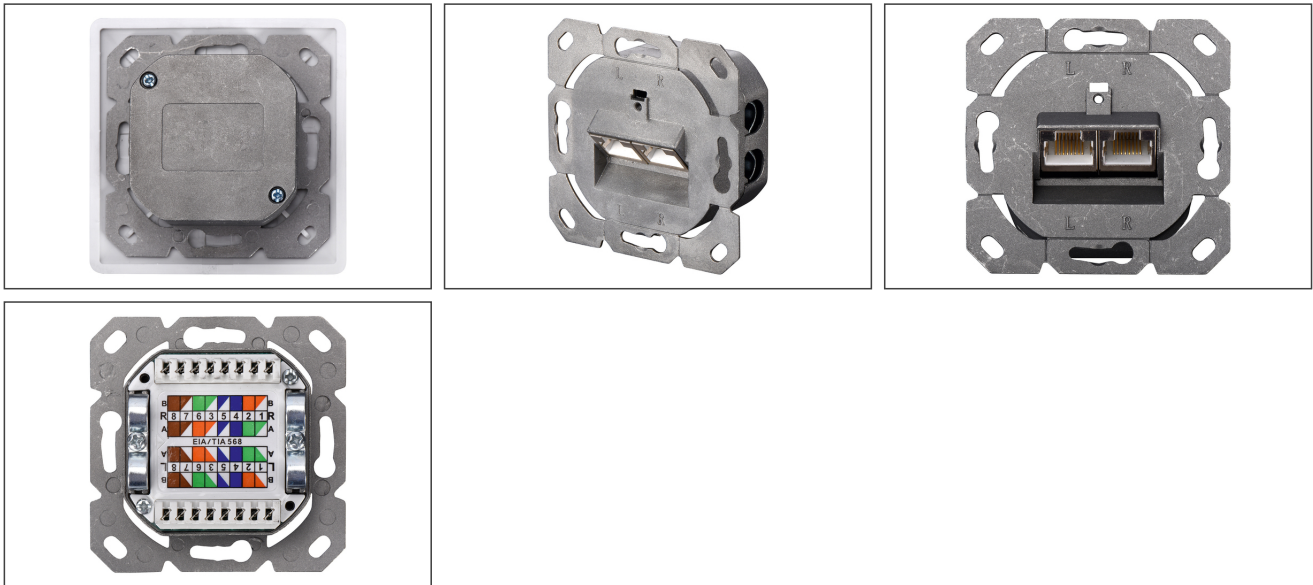
- Housing material: Die-cast metal
- RJ45 female material: ABS UL 94V-0
- RJ45 female contact: Tinned phosphor bronze, 0.5 µ gold-plated contact
- RJ45 shielding: Tinned bronze
- LSA termination clamp: Krone LSA+, UL 94V-2, zinc plated phosphor bronze
- Conductor plate: FR4, UL 94V-0
- Physical properties:
- Insertion force: 30N max. (IEC 60603-7-5)
- Retention strength: 7.7 kg between jack and plug
- Operation temperature: -20° C to +70 °C (ISO/IEC 11801, EN 50173-1, ANSI/TIA/EIA 568 C)
- Mating cycles female: > 750 acc. to ISO/IEC 11801, IEC 60603-7-5
- Clamp: > 200 acc. to ISO/IEC 11801, IEC 60603-7-5
- IDC wire size: 22 – 26 AWG solid and stranded conductor
- Insulation resistance: > 500 MOhm
- Contact resistance: < 20 MilliOhm
- Dielectric strength: 1000 VDC (Contact/Contact), 1500 VDC (Contact/Ground)
- Not compatible with R&M freenet patch cords
- Colour: White RAL9003

**Package contents**

- Outlet
- Mounting instruction

Logistics						
	Number (pcs)	Weight (kg)	Depth (cm)	Width (cm)	Height (cm)	cm³
Packaging Unit Carton	60	11.40	45.00	38.00	20.00	34,200.00
Packaging Unit Inside	1	0.19	5.50	9.00	12.00	594.00
Packaging Unit Single	1	0.19	5.50	9.00	12.00	594.00
Net single without Packaging	1	0.15	4.00	8.00	8.00	256.00

**More images:**



**Safety notes**

- Protect product from moisture
- Avoid antistatic charging when installing the product
- Observe the specifications of the raw cable manufacturer during installation

**EU responsible person**

EU based economic operator ensuring the product complies with the required regulations.

ASSMANN Electronic GmbH  
 Auf dem Schüffel 3  
 Lüdenscheid, Germany  
<https://www.assmann.com>  
[info@assmann.com](mailto:info@assmann.com)